

# Parts Manual

Mfg. No: 1331-0  
2,250 PSI





---

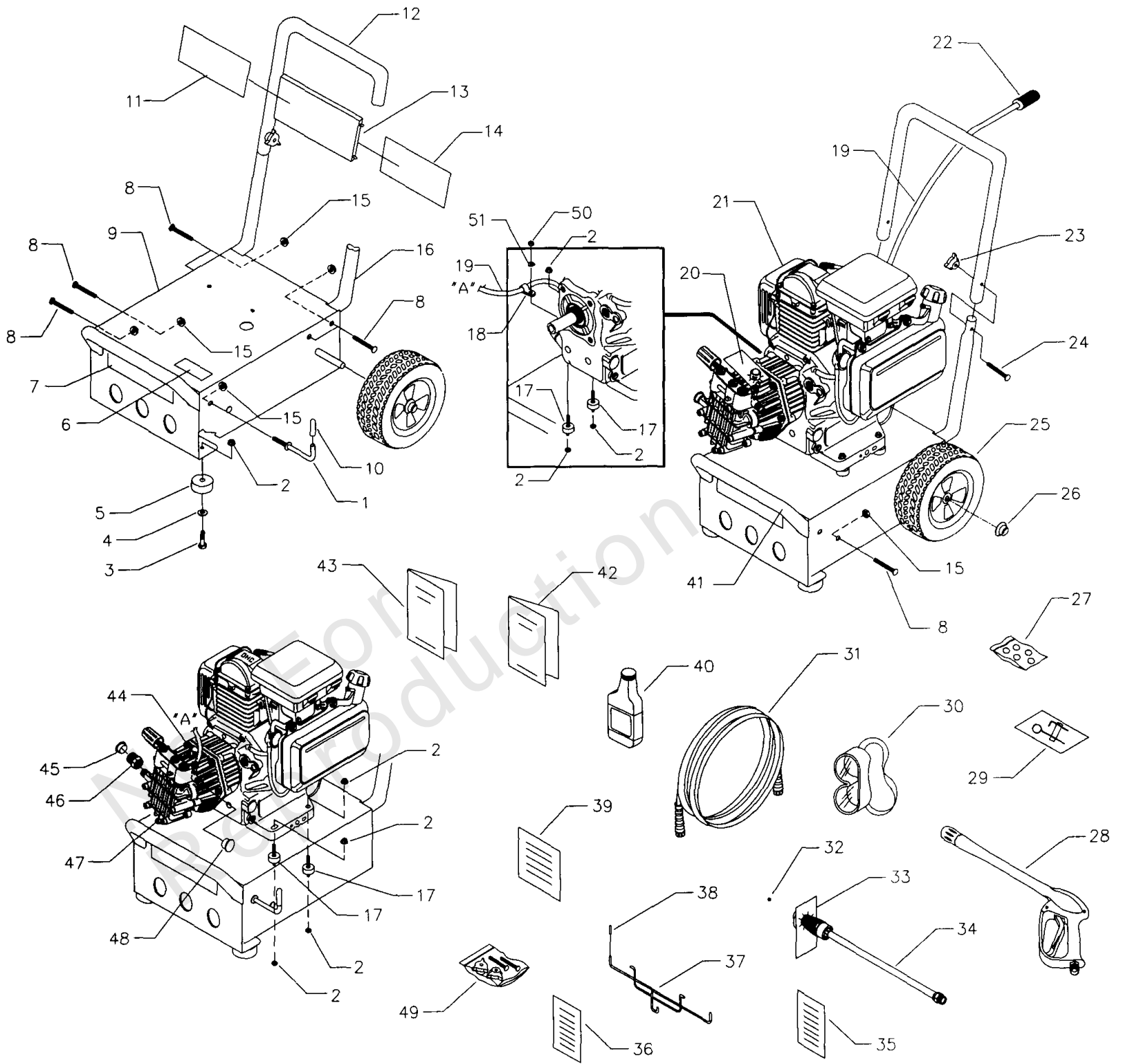
Model Components	Page
Main Unit.....	4
Pump.....	8
Torque Specification Chart.....	12

Not For  
Reproduction

# Main Unit

Note: Unless noted otherwise, use the standard torque specifications

Mfg. No: 1331-0



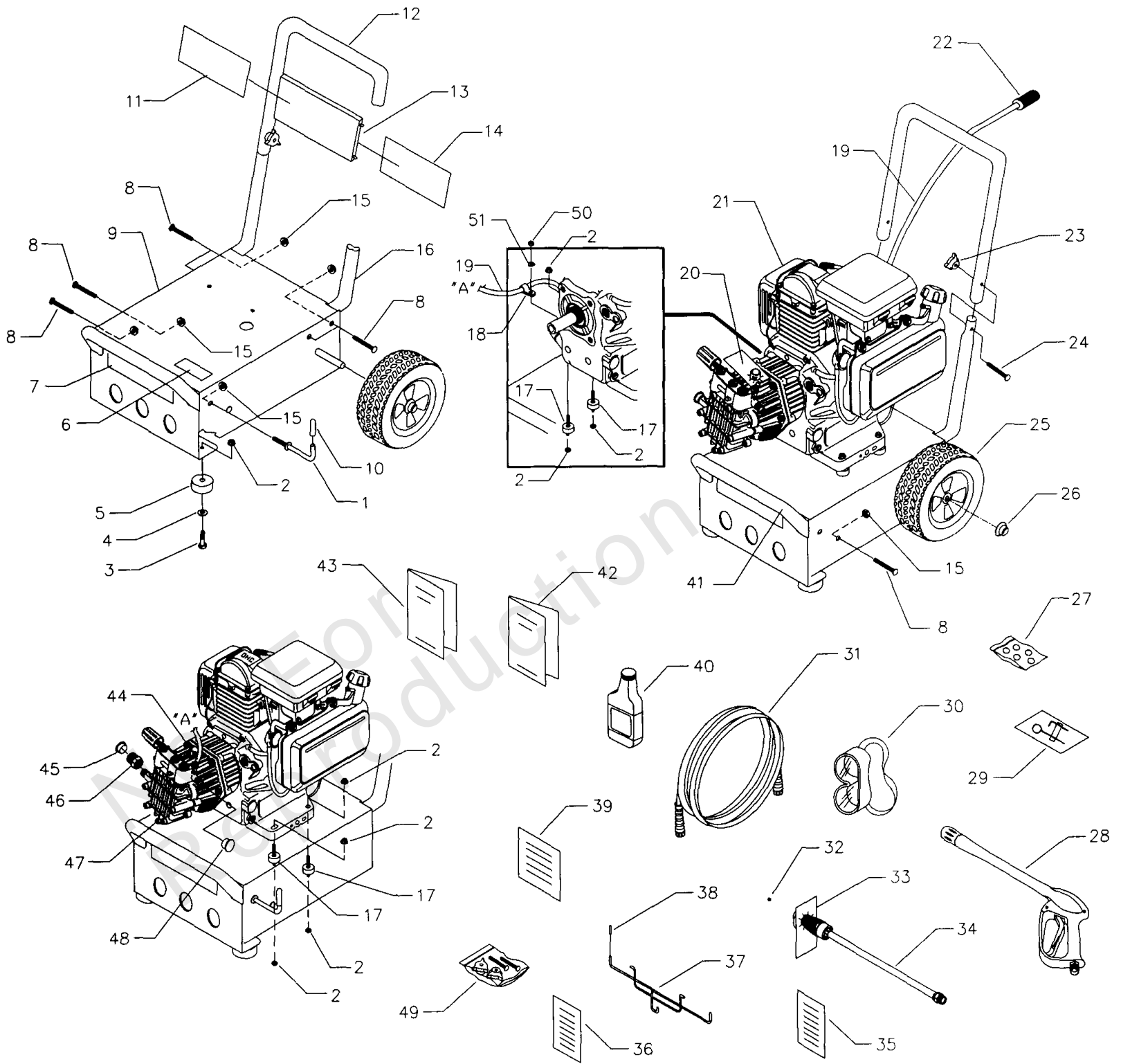
## Main Unit

REF NO	PART NO	QTY	DESCRIPTION
1	B2150	1	HOOK, Gun
2	67989	9	NUT, M8 Flange Serr.
3	42909	2	HHCS, M8 1.25 x 30
4	50190	2	WASHER, M8 Flat
5	27007	2	MOUNT, Donut Type Vibration
6	20566	1	DECAL, Generac #1-800
7	B2192	1	DECAL, Generac
8	B2043	7	BOLT, 5/16"-18 x 1-3/4" Carriage
9	AB1770A	1	BASE
10	B2516	1	CAP, Vinyl (black)
11	B4382	1	DECAL, Logo
12	B1983	1	HANDLE
13	B1631A	1	BILLBOARD, Plastic
14	B2796	1	DECAL, Instructions
15	99583	8	NUT, Flange Lock 5/16"-18
16	B1981	2	SUPPORT, Handle
17	21217	4	MOUNT, Rubber Shock
18	B1232	1	CLAMP, Hose 7/16" Dia.
19	A1040D	1	HOSE, 4-1/2' Chemical Clear
20	B1288	1	TAG, Breather Cap
21	-----	1	ENGINE, Honda GC160 -(NSP)
22	A1041	1	FILTER, Chemical Hose
23	97178	2	KNOB, Handle 1/4" - 20 PW
24	31669	2	BOLT, 1/4" - 20 x 1-3/4" Carriage
25	B1760	2	ASSEMBLY, 10" Tire & Wheel
26	75402	2	PUSH NUT, .50" Dia.
27	B3057	1	KIT, "O" Ring
28	B3263	1	GUN, High Pressure
29	B2163	1	KIT, Nozzle Cleaning
30	87815	1	GOGGLES, Safety
31	B3607	1	HOSE, High Pressure
32	94804	1	NOZZLE, 1.10 White Replacement
33	97566	1	TAG, Nozzle Instructions
34	B3335A	1	LANCE, Nozzle Hi/Lo
35	B4322	1	WARRANTY, Honda Emissions
36	B4321	1	WARRANTY, Honda Engine
37	B4334	1	HANGER, Hose, Gun, Jug
38	B1460	2	CAP, Vinyl (black)
39	88681	1	CARD, Owner Registration
40	-----	1	OIL -(NSP)
41	B1982	1	BUMPER
42	B3294	1	MANUAL, Engine
43	B4388	1	MANUAL, Owner's
44	48031G	1	CLAMP, Hose 3/16"
45	A1408	1	CAP, Garden Hose Connector
46	21424	1	CONNECTOR, Garden Hose
47	-----	1	ASSEMBLY, Pump -(For Replacement, order 198347GS)
47	198347GS	1	REPLACEMENT PUMP ASSEMBLY
48	97100	1	CAP, H.P. Adapter

# Main Unit

Note: Unless noted otherwise, use the standard torque specifications

Mfg. No: 1331-0



## Main Unit

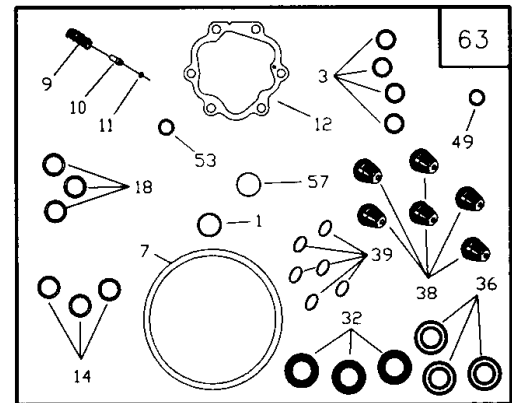
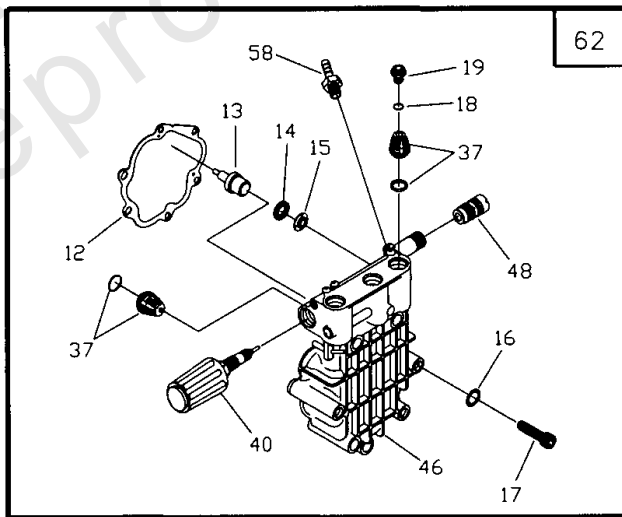
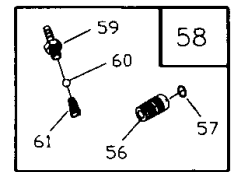
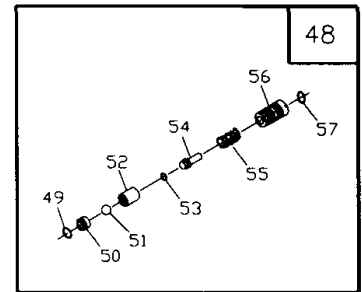
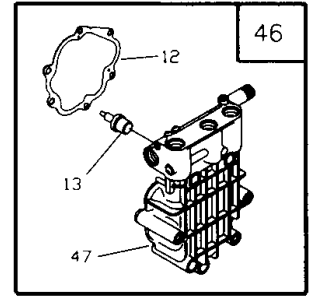
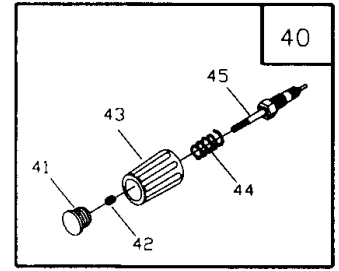
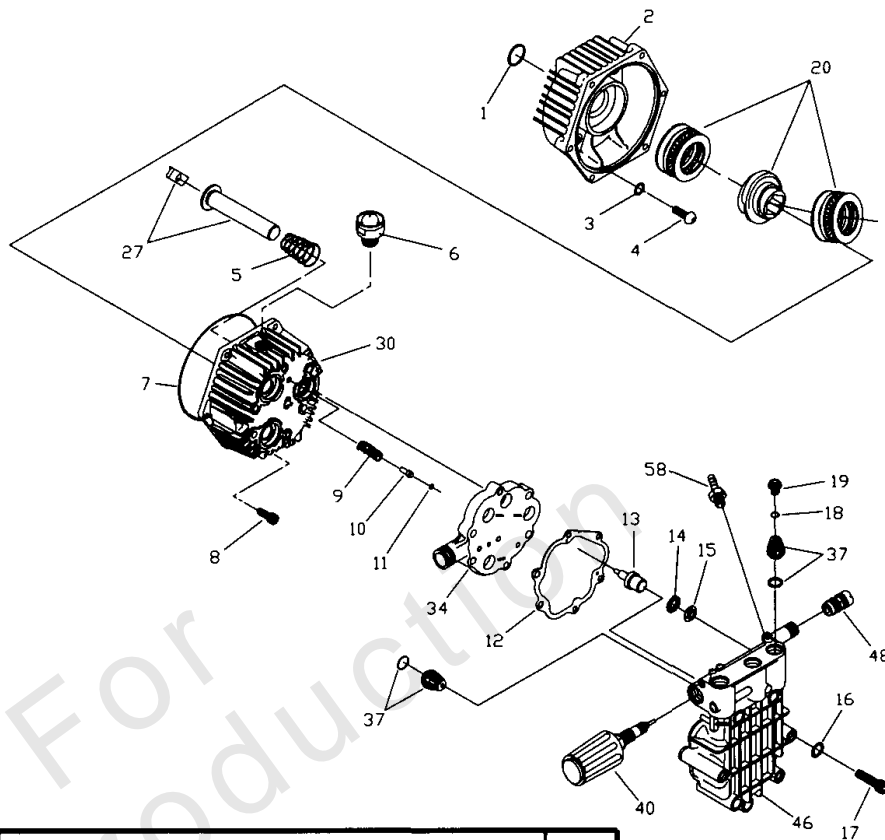
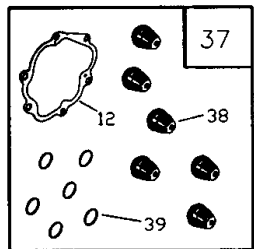
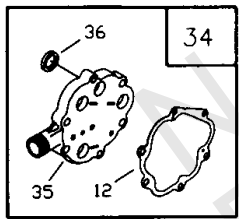
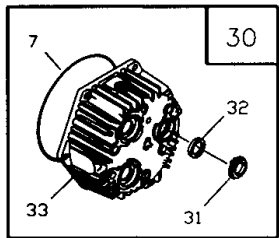
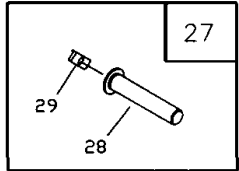
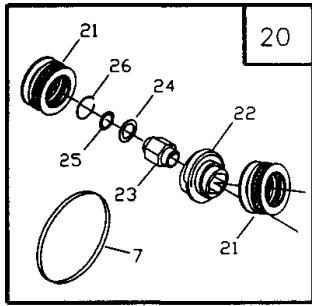
REF NO	PART NO	QTY	DESCRIPTION
49	B2203	1	KIT, Handle Fastening
50	45771	1	NUT, M8 - 1.25
51	22129	1	LOCK WASHER, M8

Not For Reproduction

# Pump

Note: Unless noted otherwise, use the standard torque specifications

Mfg. No: 1331-0





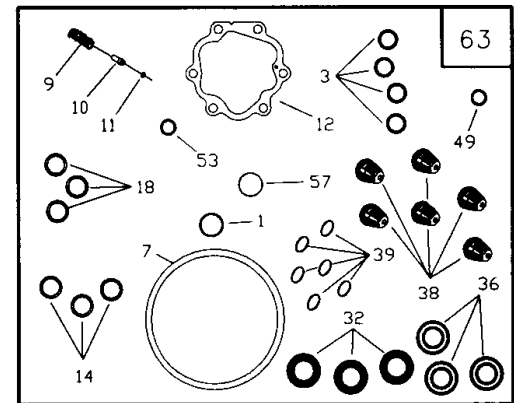
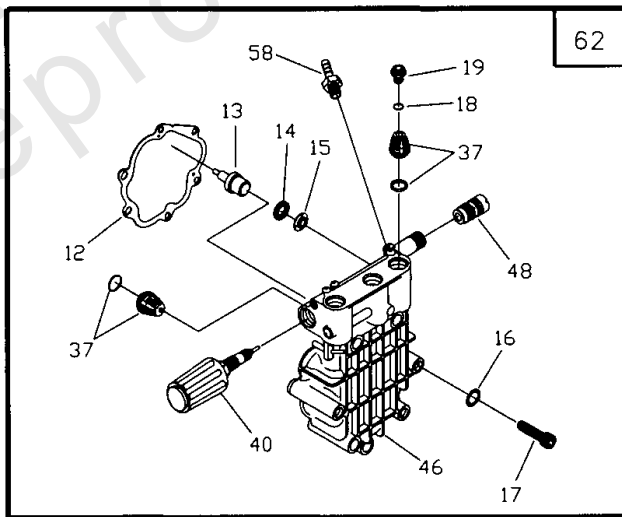
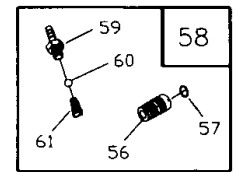
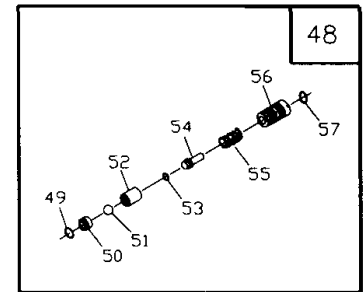
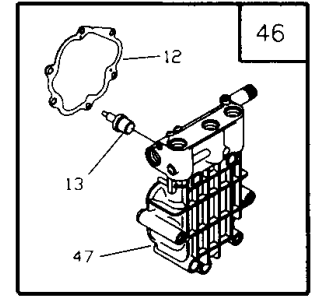
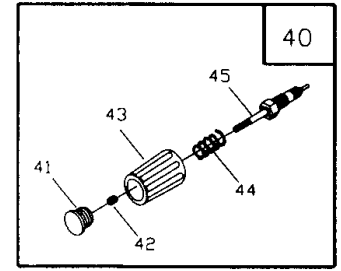
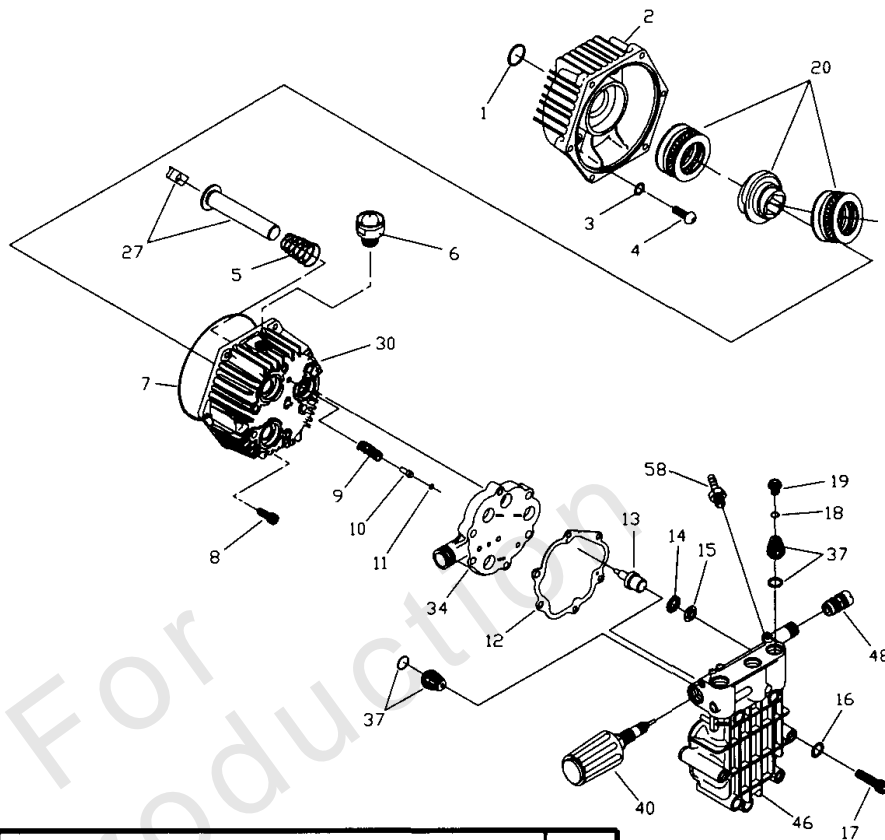
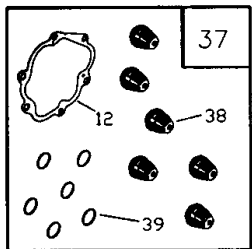
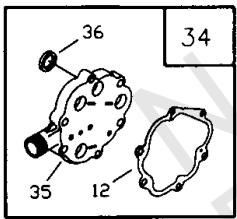
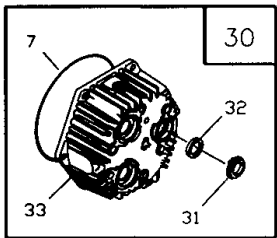
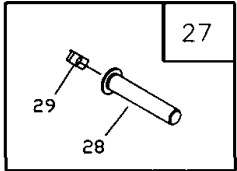
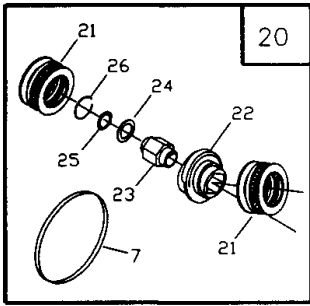
## Pump

REF NO	PART NO	QTY	DESCRIPTION
1	B2218	1	O-RING, 1.625 I.D. x .103
2	B2260	1	ADAPTER, Engine
3	B2217	4	O-RING, 0.239 ID x 0.070
4	B2261B	4	SCREW, Button Hd 5/16 - 24 x 3/4" Lg
5	96400	3	SPRING, Piston Return
6	99735	1	ASSEMBLY, Oil Breather
7	93790	1	O-RING, 114 x 119 x 2.6
8	40945	6	SHCS, M6 x 1.0 x 20mm Lg
9	93652	1	SPRING, Thermal By-Pass
10	95416	1	PISTON, Thermal By-Pass
11	93876	1	O-RING, 2.9 x 6.5 x 1.78
12	A2069	1	GASKET, Head
13	93644	1	ACTUATOR, Thermal By-Pass
14	96053	3	SEAL, High Pressure
15	96015	3	RING, Bearing
16	B2665	6	WASHER, Steel Special
17	A2013	6	BOLT, Head M8 x 1.25 x 70mm Lg
18	97840	3	O-RING, Cap 15.6 x 19.16 x 1.78
19	97841	3	CAP, Outlet Port
20	B4263	0	KIT, Axial Cam 3/4" - 6.0 Lift -(Service Kit Includes Items 21 - 26)
21	-----	2	BEARING SET, Thrust 15.5
22	-----	1	CAM, Axial 6.0 Lift
23	-----	1	ADAPTER, Engine
24	-----	1	WASHER, Thrust
25	-----	1	RETAINER, Push - On
26	-----	1	C-RING, Cam Retainer
27	B3478	0	KIT, Piston/Shoe -(Service Kit Includes Items 28 & 29)
28	-----	3	ASSY., Ceramic Piston & Cap
29	-----	3	SHOE, Piston Pivot
30	B3508	0	KIT, Crankcase -(Service Kit Includes Items 31 - 33)
31	-----	3	SPACER, Pilot
32	-----	3	SEAL, Oil Piston
33	-----	1	CRANKCASE, Pump
34	B3509	0	KIT, Spacer Plate -(Service Kit Includes Items 35 & 36)
35	-----	1	SPACER, Inlet Plate
36	-----	3	SEAL, High Pressure Dbl. Lip
37	B3513	0	Kit, Check Valve -(Service Kit Includes Items 38 & 39)
38	-----	6	ASSY., Check Valve
39	-----	6	O-RING, Check Valve 12.4 x 15.56 x 1.78
40	B3479	0	KIT, Unloader Spindle -(Service Kit Includes Items 41 - 45)
41	-----	1	CAP, Plastic
42	-----	1	SET SCREW, M6 x 8 Lg
43	-----	1	HANDLE, Unloader
44	-----	1	SPRING, Unloader
45	-----	1	ASSY., Spindle
46	B3507	0	KIT, Head -(Service Kit Includes Item 47)

# Pump

Note: Unless noted otherwise, use the standard torque specifications

Mfg. No: 1331-0



## Pump

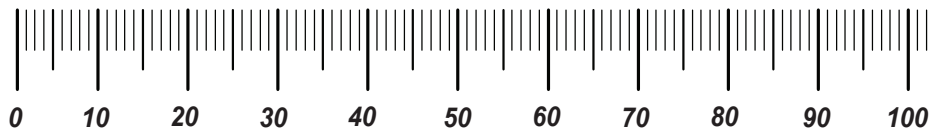
REF NO	PART NO	QTY	DESCRIPTION
47	-----	1	ASSY., Pump Head (Med. Frame)
48	B3510	0	KIT, High Pressure Outlet -(Service Kit Includes Items 49 - 57)
49	-----	1	O-RING, Spindle 6 x 10 x 1.78
50	-----	1	SEAT, Ball Unloader
51	-----	1	BALL, Stainless Steel 9/32 Dia.
52	-----	1	SEAT, Trapped Line Pressure
53	-----	1	O-RING, 3.68 x 7.24 x 1.78
54	-----	1	VALVE, Shuttle Piston
55	-----	1	SPRING, Piston Trapped Pressure
56	-----	1	VENTURI, Chemical
57	-----	1	O-RING, Venturi 10.82 x 14.38 x 1.78
58	B3829	0	ASSY., Chemical Injector -(Service Kit Includes Items 59 - 61)
59	-----	1	BARB HOSE, Brass with Nylon Insert
60	-----	1	BALL, 5.5 dia. Chemical Injector
61	-----	1	SPRING, Chemical Injector
62	B3480	0	KIT, Complete Head -(Service Kit Includes Items 12-19, 37, 40, 46, 48 & 58)
63	B3514	0	KIT, O-Ring/Seals -(Service Kit Includes Items 1, 3, 7, 9 - 12, 14, 18, 32, 36, 38, 39, 49, 53 & 57)

# Hardware Identification & Torque Specifications

Torque Specification Chart								
FOR STANDARD METRIC MACHINE HARDWARE (Tolerance ± 20%)								
Property Class	5.6		8.8		10.9		12.9	
	Class 5.6		Class 8.8		Class 10.9		Class 12.9	
Size Of Hardware	in/lbs		in/lbs		in/lbs		in/lbs	
	ft/lbs	Nm.	ft/lbs	Nm.	ft/lbs	Nm.	ft/lbs	Nm.
M3	5.88	.56	13.44	1.28	19.2	1.80	22.92	2.15
M4	13.44	1.28	30.72	2.90	43.44	4.10	52.56	4.95
M5	26.4	2.50	60.96	5.75	5.97	8.10	7.15	9.7
M6	44.64	4.3	7.3	9.9	10.3	14	12.1	16.5
M7	5.2	7.1	12.1	16.5	16.9	23	19.9	27
M8	7.7	10.5	17.7	24	25	34	29	40
M10	15	21	35	48	50	67	59	81
M12	26	36	61	83	86.2	117	103	140
M14	42	58	101	132	136	185	162	220
M16	64	88	147	200	210	285	250	340
M18	89	121	202	275	287	390	346	470
M20	126	171	290	390	405	550	486	660
M22	169	230	390	530	559	745	656	890
M24	217	295	497	375	708	960	840	1140
M27	320	435	733	995	1032	1400	1239	1680
M30	435	590	995	1350	1401	1900	1681	2280
M33	590	800	1349	1830	1902	2580	2278	3090
M36	759	1030	1740	2360	2441	3310	2935	3980
M39	988	1340	2249	3050	3163	4290	3798	5150

Torque Specification Chart						
FOR STANDARD MACHINE HARDWARE (Tolerance ± 20%)						
Hardware Grade	No Marks		SAE Grade 5		SAE Grade 8	
	SAE Grade 2		SAE Grade 5		SAE Grade 8	
Size Of Hardware	in/lbs		in/lbs		in/lbs	
	ft/lbs	Nm.	ft/lbs	Nm.	ft/lbs	Nm.
8-32	19	2.1	30	3.4	41	4.6
8-36	20	2.3	31	3.5	43	4.9
10-24	27	3.1	43	4.9	60	6.8
10-32	31	3.5	49	5.5	68	7.7
1/4-20	66	7.6	8	10.9	12	16.3
1/4-28	76	8.6	10	13.6	14	19.0
5/16-18	11	15.0	17	23.1	25	34.0
5/16-24	12	16.3	19	25.8	29	34.0
3/8-16	20	27.2	30	40.8	45	61.2
3/8-24	23	31.3	35	47.6	50	68.0
7/16-14	30	40.8	50	68.0	70	95.2
7/16-20	35	47.6	55	74.8	80	108.8
1/2-13	50	68.0	75	102.0	110	149.6
1/2-20	55	74.8	90	122.4	120	163.2
9/16-12	65	88.4	110	149.6	150	204.0
9/16-18	75	102.0	120	163.2	170	231.2
5/8-11	90	122.4	150	204.0	220	299.2
5/8-18	100	136	180	244.8	240	326.4
3/4-10	160	217.6	260	353.6	386	525.0
3/4-16	180	244.8	300	408.0	420	571.2
7/8-9	140	190.4	400	544.0	600	816.0
7/8-14	155	210.8	440	598.4	660	897.6
1-8	220	299.2	580	788.8	900	1,244.0
1-12	240	326.4	640	870.4	1,000	1,360.0

The guides and ruler furnished below are designed to help you select the appropriate hardware.

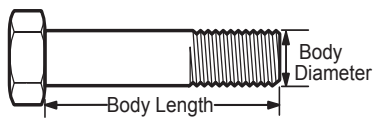


Nut, M8

Thread Diameter (mm)

Inside Diameter (in) Threads per inch

Nut, 1/2-16

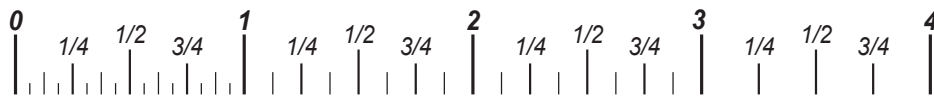


Screw, M8- 1.25 x 25

Thread Diameter (mm) Distance between threads (mm) Body Length (mm)

Body Diameter Threads per inch Body Length (in)

Screw, 1/2- 16 x 2



## Standard Hardware Sizing

When a washer or nut is identified as 1/2" (M8), this is the *Nominal size*, meaning the *inside diameter* is 1/2 inch (8mm metric thread diameter); if a second number is present it represents the *threads per inch* (distance between threads).

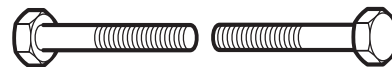
When bolt or capscrew is identified as 1/2 - 16 x 2" (M8 - 1.25 x 50), this means the *Nominal size*, or body diameter is 1/2 inch (8mm metric thread diameter), the second number, 16, represents the *threads per inch*, (*distance between threads*). The final number is the body length of the bolt or screw, 2 inches (50mm).

## NOTES

- These torque values are to be used for all hardware excluding: locknuts, self-tapping screws, thread forming screws, sheet metal screws and socket head setscrews.
- Recommended seating torque values for locknuts:
  - for prevailing torque locknuts - use 65% of grade 5 torques.
  - for flange whizlock nuts and screws - use 135% of grade 5 torques.
- Unless otherwise noted on assembly drawings, all torque values must meet this specification.

## Common Hardware Types

Hex Head Capscrew



Washer



Carriage Bolt



Hex Nut

## Wrench & Fastener Size Guide

1/4" Bolt or Nut Wrench—7/16"	5/16" Bolt or Nut Wrench—1/2"	3/8" Bolt or Nut Wrench—9/16"	7/16" Bolt or Nut Wrench (Bolt)—5/8" Wrench (Nut)—11/16"	1/2" Bolt or Nut Wrench—3/4"
M6 Bolt or Nut Wrench—10mm	M8 Bolt or Nut Wrench—13mm	M10 Bolt or Nut Wrench—17mm	M12 Bolt or Nut Wrench—19mm	M14 Bolt or Nut Wrench—22mm

